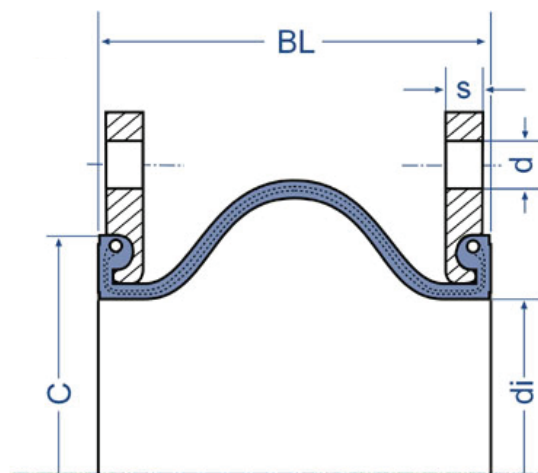


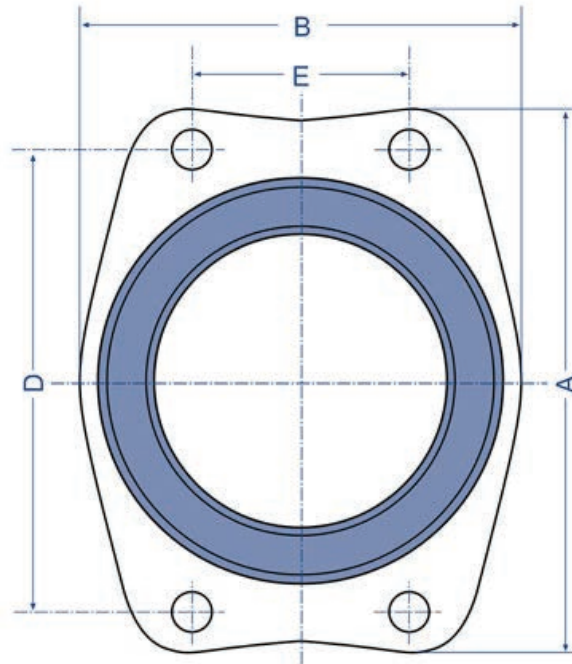
Working-pressure 10 bar at
working-temperature BT 80°C.

Bellow core NBR cover CR reinforcement
Nylocord .

Both sides Loose-flanges SAE3000 made
RSt37-2 galvanized.


Bellow

DN	Ø di mm	Ø C mm	BL mm	axial mm	lateral mm	angular ±	
25	1"	24	46	65	+10 / -20	+/- 10	10°
32	1 ¼"	32	53	65	+10 / -20	+/- 10	10°
40	1 ½"	40	64	100	+10 / -20	+/- 10	10°
50	2"	50	73	100	+10 / -20	+/- 10	10°
65	2 ½"	65	89	100	+10 / -20	+/- 10	10°
80	3"	80	102	100	+10 / -20	+/- 10	10°
80	3 ½"	80	102	100	+10 / -20	+/- 10	10°
100	4"	100	130	100	+10 / -20	+/- 10	10°
125	5"	121	166	130	+10 / -20	+/- 10	10°


Flanges SAE3000

DN	A	B	D	E	s	n x Ø d mm	
25	1"	70	55	52,4	26,2	11	4 x 11
32	1 ¼"	80	70	58,7	30,2	11	4 x 13
40	1 ½"	90	80	70,0	35,7	13	4 x 13
50	2"	100	90	77,8	42,9	13	4 x 13
65	2 ½"	115	105	89,0	50,8	14	4 x 13
80	3"	132	120	106,4	62,0	14	4 x 17
80	3 ½"	146	130	120,6	70,0	14	4 x 17
100	4"	156	140	130,2	77,8	16	4 x 17
125	5"	184	165	152,4	92,0	16	4 x 17